



Dual interval technology



Rear display (option)



Battery operation

SW SERIES

Smart Weighing Scale

Compact Design and easy to use, suitable for multipurpose environments where light weight & portable scales are needed.

- Battery Operation
- 25mm LCD Display
- Counting Function
- Limit Function



◀ SW-1W



◀ SW-1C

SW-1W/WR

Smart Weighing Scale



SW-1W

SW-1WR

SPECIFICATIONS

Model	SW-1W / WR				
Max. Capacity (kg)	1/2	2.5/5	4/10	10/20	15/30
Readability (g)	0.5/1	1/2	2/5	5/10	5/10
Max. Tare (kg)	-0.9995	-2.499	-3.998	-9.995	-14.995
Internal Resolution	1/60,000				
External Resolution	1/2,000 ~ 1/3,000 (Dual Interval)				
Display Digit	5 Digits (SW-1W), 6 Digits (SW-1WR)				
Display Type	LCD (SW-1W), LED (SW-1WR)				
Operating Temp.	-10°C ~ 40°C				
Power	SW-1W: Dry Battery (6 x D type), 9V DC Adapter SW-1WR: Rechargeable Battery, 12V DC Adapter				
Battery Life	Approx. 400hrs or 800hrs (Alkaline battery) Approx. 30hrs (SW-1WR)				
Platter Size (mm)	247(W) x 195(D)				
Dimensions (mm)	278(W) x 317(D) x 141(H)				
Product Weight (kg)	3.7				

1/2,000~1/3,000 dual interval resolution for better accuracy

The SW-1W/1WR adopts dual interval technology, allowing for an automatic change of the SW-1W/1WR interval for an even more precise reading.



Dust & Waterproof digital scale (Level IP 66)

The SW-1W/1WR is protected from water, dirt and other external agents.



Rechargeable Battery operation (SW-1WR only)

The SW-1WR can be used for up to 30 hours after charging the battery.



Clear and Highly legible LED display (SW-1WR only)

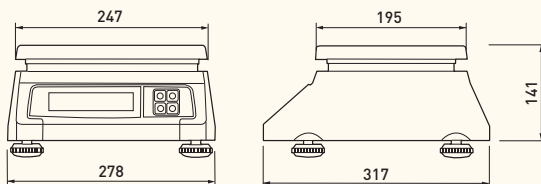
SW-1WR Series has a 19mm LED display and uses 6 highly legible digits.



DIMENSIONS

SW-1W

Unit:mm



OPTIONS

- Rear display (Dual display)
- 9V DC adapter (SW-1W only)
- 12V DC adapter (SW-1WR only)



Adapter can be different for each country

SW-1S/1C | Smart Weighing Scales



SW-1C

SW-1S

SPECIFICATIONS

Model	SW-1S / 1C				
Max. Capacity (kg)	1/2	2.5/5	4/10	10/20	15/30
Readability (g)	0.5/1	1/2	2/5	5/10	5/10
Max. Tare (kg)	-0.9995	-2.499	-3.998	-9.995	-14.995
Internal Resolution	1/60,000				
External Resolution	1/2,000 ~ 1/3,000 (Dual Interval)				
Display Digit	5 Digits				
Display Type	LCD				
Operating Temp.	-10°C ~ 40°C				
Power	Dry Battery (6 x D type), 9V DC Adapter Rechargeable Battery				
Battery Life	Approx. 400hrs or 800hrs (Alkaline battery)				
Platter Size (mm)	230(W) x 190(D)				
Dimensions (mm)	260(W) x 287(D) x 137(H)				
Product Weight (kg)	2.8				

1/2,000~1/3,000 dual interval resolution for better accuracy

The SW-1S/1C adopts dual interval technology, allowing for an automatic change of the SW-1S/1C interval for an even more precise reading.



Clear and Highly legible LCD display

SW-1 Series has a 25mm large LED display and uses 6 highly legible digits.



Accurate counting function (SW-1C only)

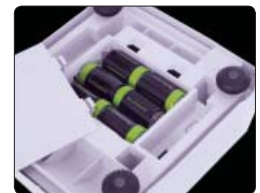
The SW-1C has a simple counting and limit function for quality product management. It is great for use in manufacturing, parts shops, hardware stores etc.



Used anywhere with battery power

SW Series is operated by an AC adapter or alkaline batteries.

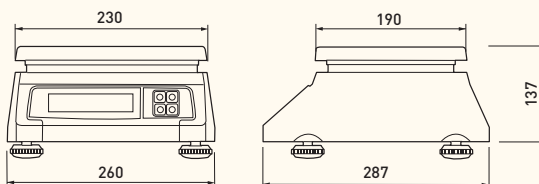
Its compact design is great for use anywhere.



DIMENSIONS

SW-1

Unit:mm



OPTIONS

- Rear display (Dual display)
- AC adapter (9V/300mA)
- Stainless steel platter / Fish tray
- Dust protection cover



Fish tray



Stainless steel platter

SW-LR/ID-P

Smart Weighing Scales



SW-LR

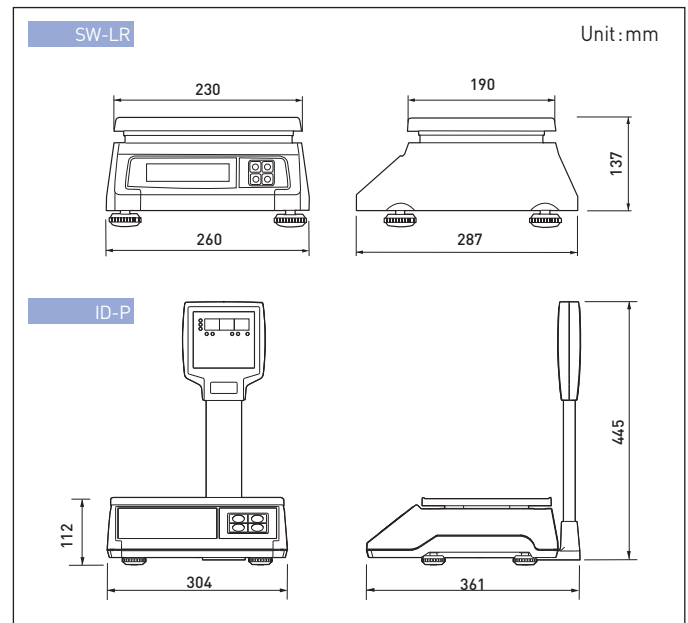


ID-P

SPECIFICATIONS

Model	SW-LR / ID-P				
Max. Capacity (kg)	1/2	2.5/5	4/10	10/20	15/30
Readability (g)	0.5/1	1/2	2/5	5/10	5/10
Max. Tare (kg)	-0.9995	-2.499	-3.998	-9.995	-14.995
Internal Resolution	1/60,000				
External Resolution	1/2,000 ~ 1/3,000 (Dual Interval)				
Display Digit	6 Digits				
Display Type	LED				
Operating Temp.	-10°C ~ 40°C				
Power	12V DC Adapter Rechargeable Battery				
Battery Life	SW-LR : 10 / ID-P : 30hrs after recharging the battery				
Platter Size (mm)	SW-LR : 230(W) x 190(D) ID-P : 293(W) x 218(D)				
Dimensions (mm)	SW-LR : 260(W)x287(D)x137(H) ID-P : 320(W)x361(D)x444(H)				
Product Weight (kg)	SW-LR : 2.8kg ID-P : 5.5kg				

DIMENSIONS



CAS

CAS BLDG., # 440-1, SUNGNAE-DONG,
GANGDONG-GU, SEOUL, KOREA

TEL_ 82 2 2225 3500

FAX_ 82 2 475 4668

<http://www.globalcas.com>

Specifications are subject to change for improvement without prior notice.