

Micrometer

The origin of Mitutoyo's trustworthy brand of small tool instruments

Tube Micrometers SERIES 395, 115, 295

MeasurLink[®] ENABLED
Data Management Software by Mitutoyo

- Measuring faces: Carbide. (115-101: only the spindle is carbide tipped.)
- series 395: IP65 digital spherical-flat anvil type micrometer.
- Equipped with Ratchet Stop for constant measuring force.



SPECIFICATIONS

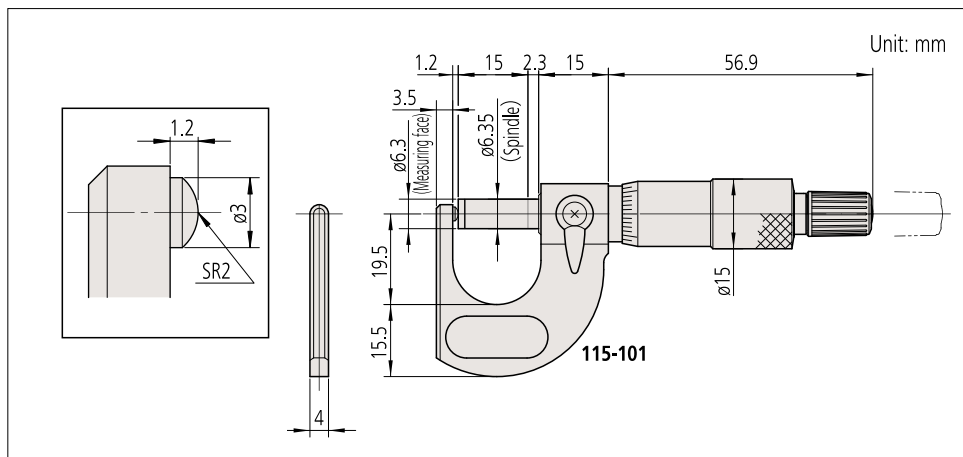
Metric				
Order No.	Range	Resolution	Accuracy*	∅D
Digimatic (LCD)				
395-251-30	0 - 25 mm	0.001 mm	±2 μm	∅15
395-252-30	25 - 50 mm			
395-253-30	50 - 75 mm			∅19
395-254-30	75 - 100 mm			
			±3 μm	∅20

* Excluding quantizing error of ±1 count

Metric				
Order No.	Range	Graduation	Accuracy	∅D
Analog				
115-101	0 - 15 mm	0.01 mm	±3 μm	∅5.5
115-115	0 - 25 mm			∅10
115-116	25 - 50 mm			∅11
115-117	50 - 75 mm			∅17
115-118	75 - 100 mm			∅18
Mechanical counter model				
295-115	0 - 25 mm		±3 μm	∅10

Note: For the function of series 395, refer to page B-8.
Also, other than the waterproof type only the connection cable (option) cannot be used.

DIMENSIONS



MeasurLink[®] ENABLED
Data Management Software by Mitutoyo

Products equipped with the measurement data output function can be connected to the measurement data network system MeasurLink (refer to page A-5 for details).

IP 65

These marks indicate that a product has successfully passed IP65-level testing, which is carried out by the independent German certification organization TÜV Rheinland.

TÜV Rheinland
CERTIFIED
www.tuv.com
ID 0000040191

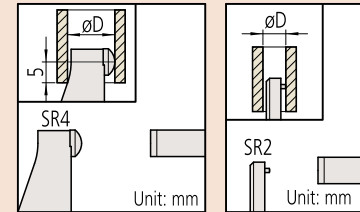
(Refer to page X for details.)

IP Codes (Series 395)

- Level 6: Dust-proof.
No ingress of dust allowed.
- Level 5: Protected against water jets.
Water projected in jets against the enclosure from any direction shall have no harmful effects.

Technical Data

Flatness: 0.6 μm / 0.000024 in (series 115 & 295)
0.3 μm / 0.000012 in (series 395)



Other than 115-101 115-101

Battery for Series 395

SR44 (1 pc), **938882**, for initial operational checks (standard accessory)
Battery life: Approx. 2.4 years under normal use (for series 395)
Length standard: Electromagnetic rotary sensor (for series 395)
Standard accessories: Reference bar, 1 pc (except for measuring range 0-15 mm / 0-25 mm (0-1 in) models)
Spanner (200168), 1 pc (for series 115-101)
Spanner (301336), 1 pc (for models other than series 115-101)

Optional Accessories

Connecting cables for series 395

- 1 m: **05CZA662**
- 2 m: **05CZA663**

USB Input Tool Direct

USB-ITN-B (2 m): **06AFM380B**

Wireless data output **U-WAVE^{fit}**

U-WAVE-TM **264-622** (IP67 type)
264-623 (Buzzer type)

Connecting unit for U-WAVE-TM
02AZF310 (IP67 type)

Refer to page A-15 for details



These marks indicate that a product has successfully passed IP65-level testing, which is carried out by the independent German certification organization TÜV Rheinland.



(Refer to page X for details.)

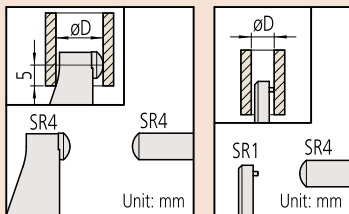
IP Codes (series 395)

Level 6: Dust-proof.

No ingress of dust allowed.

Level 5: Protected against water jets.

Water projected in jets against the enclosure from any direction shall have no harmful effects.



Other than 115-201

115-201

Battery for Series 395

SR44 (1 pc), 938882, for initial operational checks (standard accessory)

Battery life: Approx. 2.4 years under normal use (for series 395)

Length standard: Electromagnetic rotary sensor (for series 395)

Standard accessories: Reference bar, 1 pc (except for measuring range 0-15 mm/0-25 mm (0-1 in) models)
Spanner (200168), 1 pc (for series 115-201)
Spanner (301336), 1 pc (for models other than series 115-201)

Optional Accessories

Connecting cables for series 395

1 m: 05CZA662

2 m: 05CZA663

USB Input Tool Direct

USB-ITN-B (2 m): 06AFM380B

Wireless data output U-WAVE^{fit}

U-WAVE-TM 264-622 (IP67 type)

264-623 (Buzzer type)

Connecting unit for U-WAVE-TM

02AZF310 (IP67 type)

Refer to page A-15 for details

Tube Micrometers SERIES 395, 115, 295 — Spherical Anvil and Spindle Type

- Measuring faces: Carbide. (115-201: only the spindle is carbide tipped.)
- series 395: IP65 spherical anvil and spindle type digital micrometer.
- Equipped with Ratchet Stop for constant measuring force.



SPECIFICATIONS

Metric				
Order No.	Range	Resolution	Accuracy*	øD
Digimatic (LCD)				
395-271-30	0 - 25 mm	0.001 mm	±2 μm	ø15
395-272-30	25 - 50 mm			
395-273-30	50 - 75 mm			ø19
395-274-30	75 - 100 mm			

* Excluding quantizing error of ±1 count

Inch/Metric				
Order No.	Range	Resolution	Accuracy*	øD
Digimatic (LCD)				
395-371-30	0 - 1 in	0.00005 in	±0.0001 in	ø0.59 in
395-372-30	1 - 2 in			
395-373-30	2 - 3 in	0.001 mm	±0.00015 in	ø0.79 in
395-374-30	3 - 4 in			

* Excluding quantizing error of ±1 count

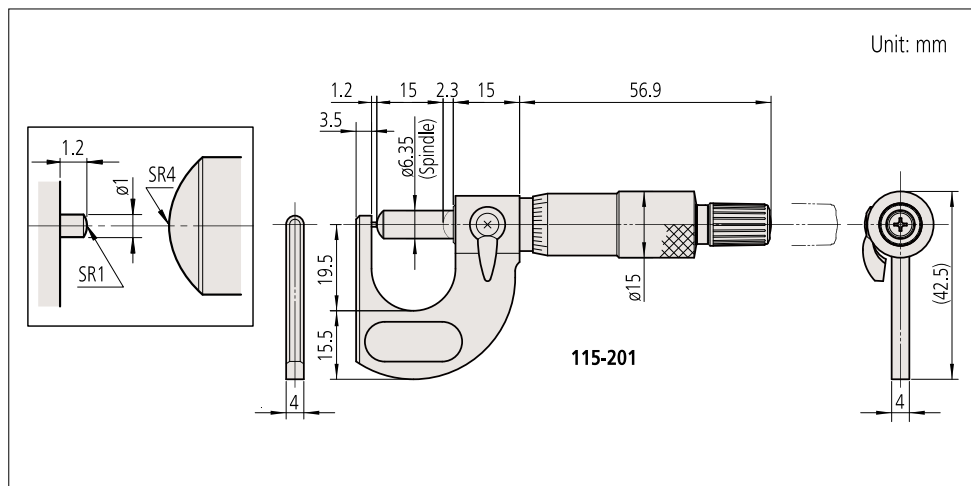
Metric				
Order No.	Range	Graduation	Accuracy	øD
Analog				
115-201	0 - 15 mm	0.01 mm	±3 μm	ø5.5
115-215	0 - 25 mm			ø10
115-216	25 - 50 mm			ø11
115-217	50 - 75 mm			ø17
115-218	75 - 100 mm			ø18
Mechanical counter model				
295-215	0 - 25 mm	0.01 mm	±3 μm	ø10

Inch				
Order No.	Range	Graduation	Accuracy	øD
Analog				
115-253	0 - 1 in	0.0001 in	±0.00015 in	ø0.40 in
115-242	1 - 2 in	0.001 in		ø0.44 in
115-243	2 - 3 in			ø0.67 in
Mechanical counter model				
295-253	0 - 1 in	0.0001 in	±0.00015 in	ø0.40 in

Note: For the function of series 395, refer to page B-8.

Also, other than the waterproof type only the connection cable (option) cannot be used.

DIMENSIONS



Micrometer

The origin of Mitutoyo's trustworthy brand of small tool instruments

Tube Micrometers SERIES 395, 115, 295 — Spherical and Cylindrical Anvil Type

MeasurLink[®] ENABLED
Data Management Software by Mitutoyo

- Spindle face: Carbide.
- series 395: IP65 spherical and cylindrical anvil type digital micrometers.
- Equipped with Ratchet Stop for constant measuring force.



SPECIFICATIONS

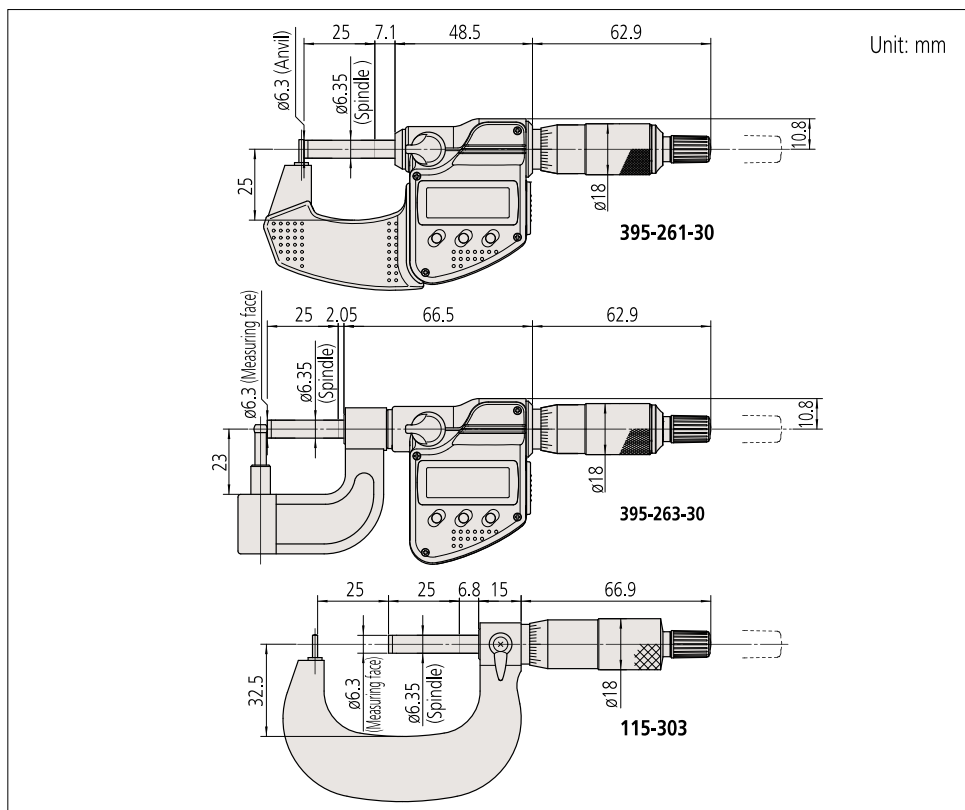
Metric				
Order No.	Range	Resolution	Accuracy*	Remarks
Digimatic (LCD)				
395-261-30	0 - 25 mm	0.001 mm	±3 μm	Type A
395-262-30				Type B
395-263-30				Type C
395-264-30				Type D

* Excluding quantizing error of ±1 count

Metric				
Order No.	Range	Graduation	Accuracy	Remarks
Analog				
115-302	0 - 25 mm	0.01 mm	±3 μm	Type A
115-308				Type B
115-303	25 - 50 mm			Type A
115-309				Type B
115-315	0 - 25 mm	Type C		
115-316		Type D		

Note: For the function of series 395, refer to page B-8.
Also, other than the waterproof type only the connection cable (option) cannot be used.

DIMENSIONS



MeasurLink[®] ENABLED
Data Management Software by Mitutoyo

Products equipped with the measurement data output function can be connected to the measurement data network system MeasurLink (refer to page A-5 for details).



These marks indicate that a product has successfully passed IP65-level testing, which is carried out by the independent German certification organization TÜV Rheinland.



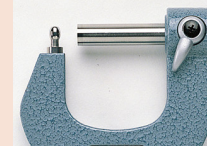
(Refer to page X for details.)

IP Codes (series 395)

- Level 6: Dust-proof.
No ingress of dust allowed.
- Level 5: Protected against water jets.
Water projected in jets against the enclosure from any direction shall have no harmful effects.

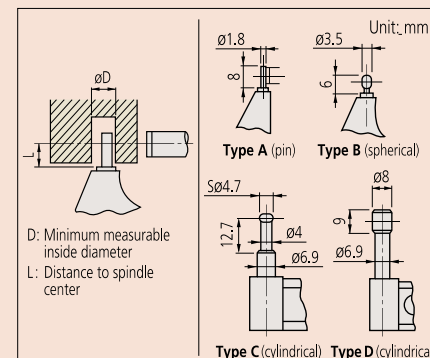
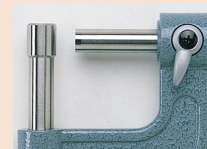
Type A (pin)

Type B (spherical)



Type C (cylindrical)

Type D (cylindrical)



Anvil	D	L
Type A	2	4
Type B	3.6	12
Type C	4.8	22
Type D	8.2	22

Battery for Series 395

SR44 (1 pc), 938882, for initial operational checks (standard accessory)

Battery Life: Approx. 2.4 years under normal use (for series 395)

Length standard: Electromagnetic rotary sensor (for series 395)

Standard accessories: Reference bar, 1 pc (except for measuring range 0-25 mm (0-1 in) models)

Spanner (301336), 1 pc

Optional Accessories

Connecting cables for series 395

1 m: 05CZA662

2 m: 05CZA663

USB Input Tool Direct

USB-ITN-B (2 m): 06AFM380B

Wireless data output **U-WAVE fit**

U-WAVE-TM 264-622 (IP67 type)

264-623 (Buzzer type)

Connecting unit for U-WAVE-TM

02AZF310 (IP67 type)

Refer to page A-15 for details