

# DIAL HEIGHT GAGES



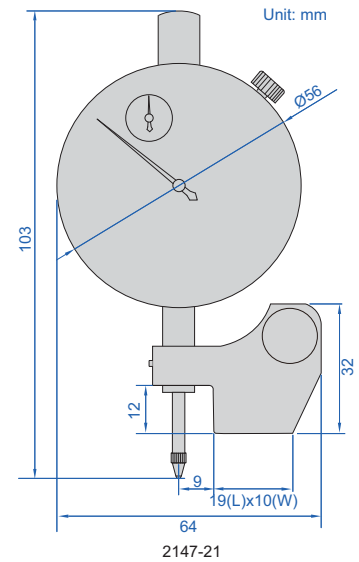
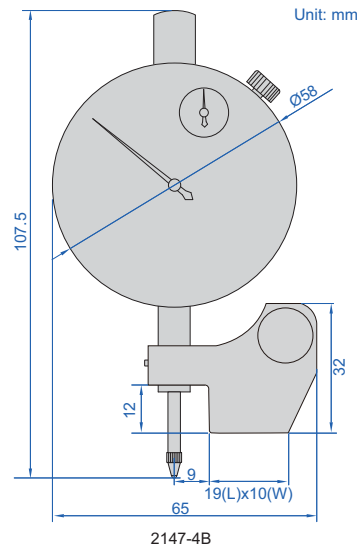
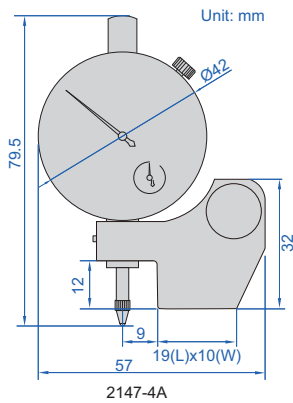
2147-4A



2147-4B



2147-21



- Measure height difference of two surfaces

Code	Range	Dial indicator stroke	Dial indicator graduation	Accuracy
2147-4A	0~±5mm(adjustable)	5mm	0.01mm	±0.014mm
2147-4B	0~±5mm	10mm	0.01mm	±0.017mm
2147-21	0~±2mm(adjustable)	2mm	0.001mm	±0.006mm

