

# DIGITAL HEIGHT GAGES WITH DRIVING WHEEL



DATA  
OUTPUT

METAL  
RACK



1156-300



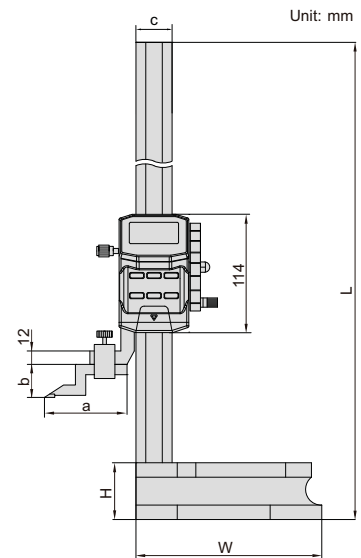
front



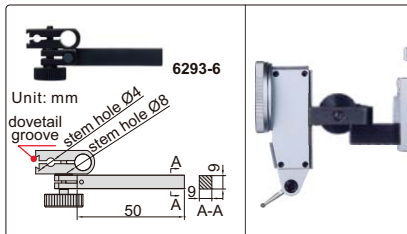
side

supporting rod

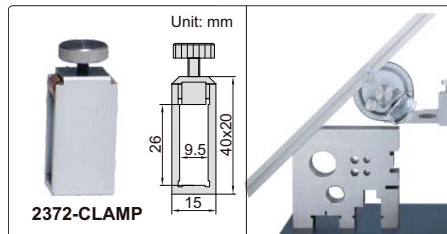
1156-1000



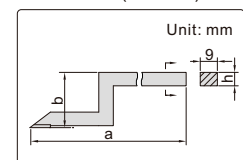
dial test indicator holder (optional)



clamp for protractors (optional)



scraper (included)



dust cover (included)



- Resolution: 0.01mm/0.0005"
- Buttons: on/off, zero, mm/inch, preset +, preset -, hold
- Automatic power off, move the digital unit to turn on power
- Carbide tipped scriber
- Made of stainless steel
- Battery CR2032
- Data output
- Supplied with dust cover
- Optional accessory: data output cable (code 7306-20, 7302-SPC5A/SPC5B, 7305-SPC2A), dial test indicator holder (code 6293-6), clamp for protractors (code 2372-CLAMP)

(mm)

Code	Range	Accuracy	L	W	H	a	b	c	h
1156-300	0-300mm/0-12"	±0.03mm	515	180	55	80	30	35	9
1156-600	0-600mm/0-24"	±0.05mm	815	180	55	80	30	35	9
1156-1000	0-1000mm/0-40"	±0.07mm	1220	265	70	92	48	40	12